



Installation and Operation Instructions

Circulation set

for HomeBloC® Digital



Table of Contents

1	General Information.....	3
1.1	Scope of these instructions.....	3
1.2	Designated use.....	3
2	Safety instructions.....	4
3	Product description.....	5
4	Mounting and installation [specialist].....	6
4.1	Installation.....	6
4.2	Electrical installation.....	9
4.3	Commissioning.....	10
5	Scope of delivery.....	11
6	Technical data.....	12
7	Disposal.....	13
8	Notes.....	14

1 General Information



Carefully read these instructions before installation and commissioning.

Save these instructions in the vicinity of the installation for future reference.

1.1 Scope of these instructions

These instructions describe the installation, commissioning and function of the drinking water circulation set for the flat station HomeBloC® Digital in the versions WR and WF.

For other components, please follow the instructions of the respective manufacturer. The chapters marked with [specialist] are intended for specialists only.

This circulation set complies with the relevant directives and is therefore labelled with the CE mark. The Declaration of Conformity is available upon request, please contact the manufacturer.

1.2 Designated use

The product may only be used taking into consideration these instructions and the technical limit values indicated in these instructions.

The product is intended for use in a domestic environment. The product can also be used in non-domestic environments, e.g. in small businesses, provided it is used in the same way.

Only use original accessories with the product. Improper usage of the product excludes any liability claims.

2 Safety instructions

The installation and commissioning as well as the connection of electrical components require technical knowledge commensurate with a recognised vocational qualification as a fitter for plumbing, heating and air conditioning technology, or a profession requiring a comparable level of knowledge [specialist].

The following must be observed during installation and commissioning:

- relevant local and national regulations
- accident prevention regulations of the professional association
- instructions and safety instructions mentioned in these instructions

NOTICE

Material damage due to mineral oils!

Mineral oil products cause lasting damage to seals made of EPDM, whereby the sealant properties are lost. We do not assume liability nor provide warranty for damage to property resulting from sealants damaged in this way.

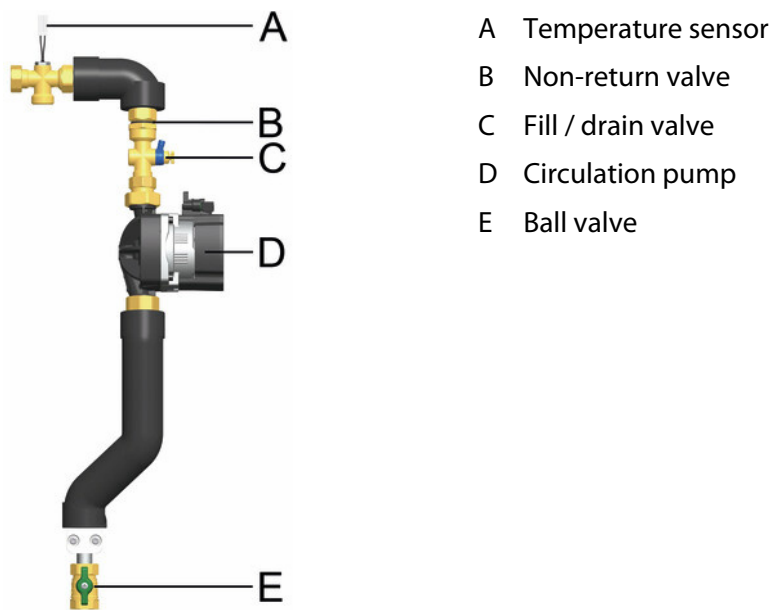
- ▶ It is imperative to prevent the EPDM sealing elements from making contact with substances containing mineral oils.
- ▶ Use a silicone- or polyalkylene-based lubricant free of mineral oil such as Unisilikon L250L and Syntheso Glep 1 from Klüber or a silicone spray.

3 Product description

3 Product description

The product consists of a circulation pump suitable for drinking water, a temperature sensor and piping for installation on flat stations of the HomeBloC® Digital series. It is designed to provide a supplementary supply of water taps with hot drinking water.

The PAW flat station HomeBloC® Digital is not included in the scope of delivery and must be ordered separately!



4 Mounting and installation [specialist]

⚠ WARNING



Risk to life and limb due to electric shock!

- ▶ Prior to commencing electrical work on the controller, pull the mains plug!
- ▶ Only after completing all installation work, plug the mains plug of the controller into a socket. An unintentional start of the motors is thus avoided.

NOTICE

Damage to property!

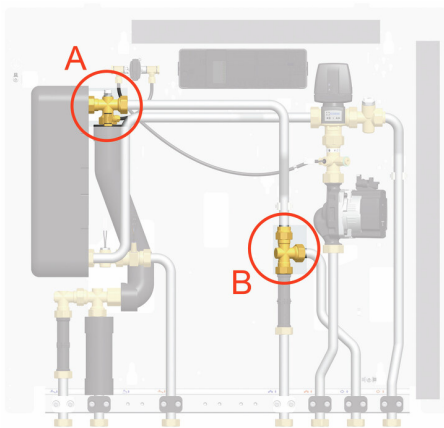
- ▶ Ensure that the electrical cables are not kinked.
- ▶ Lay the electrical cables without pinching them.
- ▶ Prevent electrical cables from coming into direct contact with heat sources or hot components.

4.1 Installation

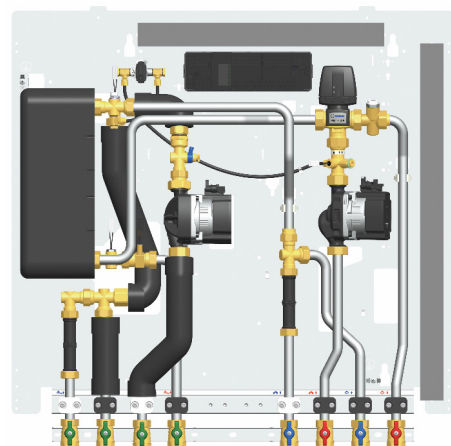
The following describes how to install the circulation set within a flat station that has not yet been installed.



The position of the circulation line within the flat station is indicated by the corresponding symbol on the labelling rail.



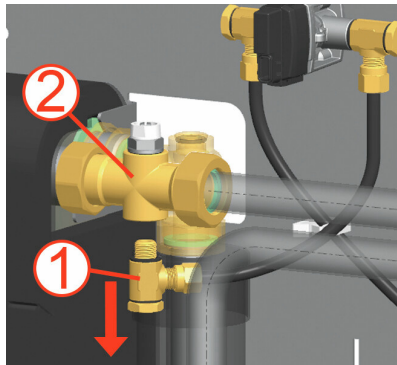
Ex.: HomeBloC® Digital WR without circulation line



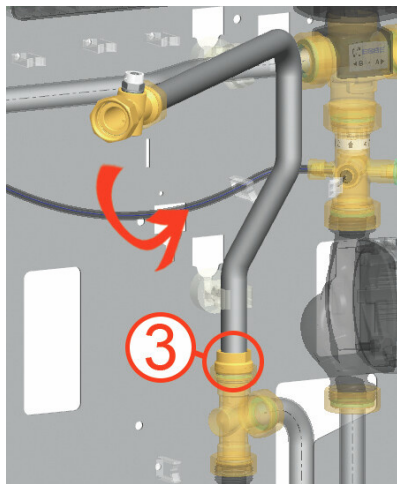
Ex.: HomeBloC® Digital WR with circulation line

Installation steps 1, 2, 4, 5, 6, 7, 9, 11 and 12 are carried out in area A. Installation steps 3 and 10 are carried out in area B. Install the circulation line as follows:

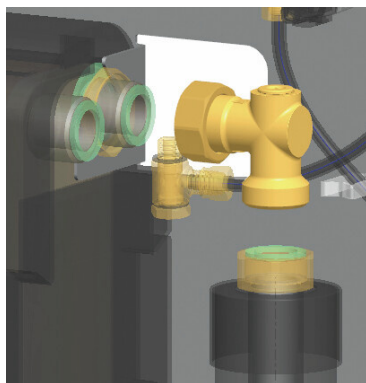
4 Mounting and installation [specialist]



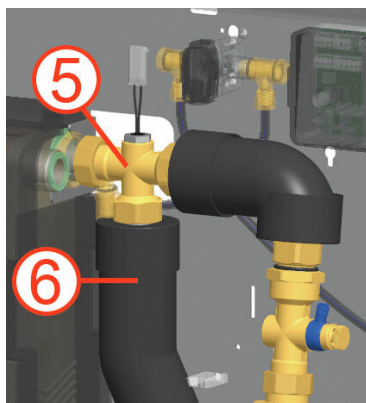
1. Loosen the elbow fitting slightly by turning the hexagon head on the fitting. Then unscrew the elbow fitting.
2. Remove the T-piece from the heat exchanger.



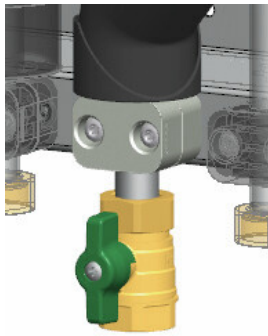
3. Installation step in area B: Loosen the screw connection and turn the entire pipe, including the T-piece, forwards so that the rear screw connection on the heat exchanger is accessible. The rear connection on the heat exchanger corresponds to the installation position of the circulation set.



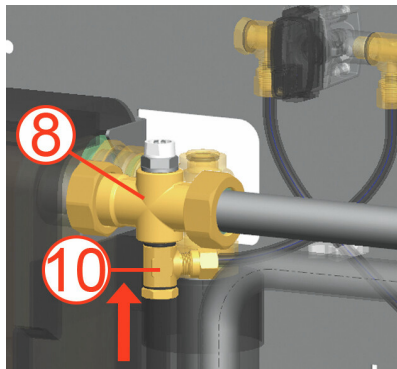
4. Remove the pipe from the elbow and the elbow from the heat exchanger.



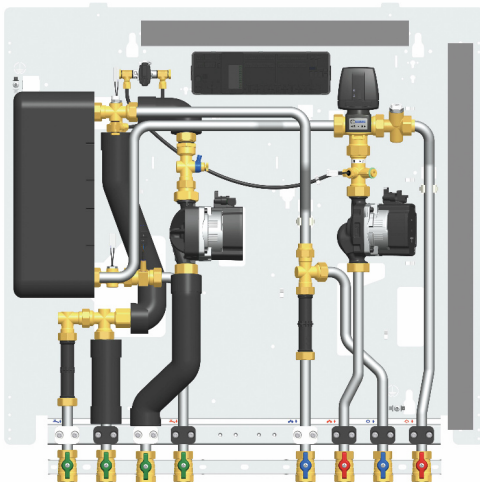
5. Now mount the circulation set as shown. To do this, mount the T-piece with the enclosed seal to the rear connection of the heat exchanger. Ensure that the plastic hose runs behind the circulation set (connection between the elbow fitting and the differential pressure sensor).
6. Fit the cold water inlet pipe to the T-piece of the circulation set.



7. Secure the circulation set to the station's retaining plate using the pipe clamp.



8. Connect the T-piece from step 2 to the front connection of the heat exchanger.
9. Installation step in area B: Tighten the screw connection from step 3 again.
10. Mount the elbow fitting. To do this, use the hexagon socket on the elbow fitting.



11. The installation of the circulation set is complete. Please refer to the separate instructions for the station for flushing and filling.

4 Mounting and installation [specialist]

4.2 Electrical installation

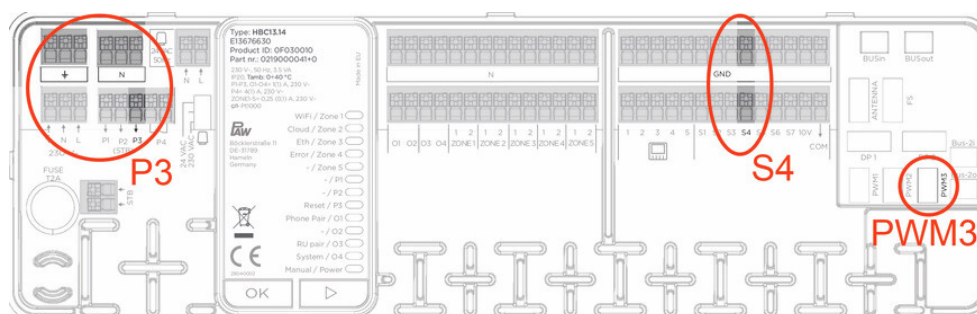
WARNING



Risk to life and limb due to electric shock!

- ▶ Prior to commencing electrical work on the controller, pull the mains plug!
- ▶ Only after completing all installation work, plug the mains plug of the controller into a socket. An unintentional start of the motors is thus avoided.

Connect the supplied cables to the controller as shown in the table below:



Cable	Cable colour	Terminal in the controller
Pump connection cable	green-yellow	+
	blue	N
	brown	P3
2-wire connection cable	brown	S4
	white	GND
PWM connection cable		PWM 3

4.3 Commissioning

Once the installation is complete and the electrical work has been finished, please proceed with commissioning the flat station. Please refer to the separate instructions for the station.

In conjunction with the HomeBloC® Digital controller, the product offers three operating modes, which can be combined with one another:

- time-controlled
- temperature-controlled
- demand-controlled

To activate and configure the circulation and to set the operating modes, please refer to the separate controller instructions:

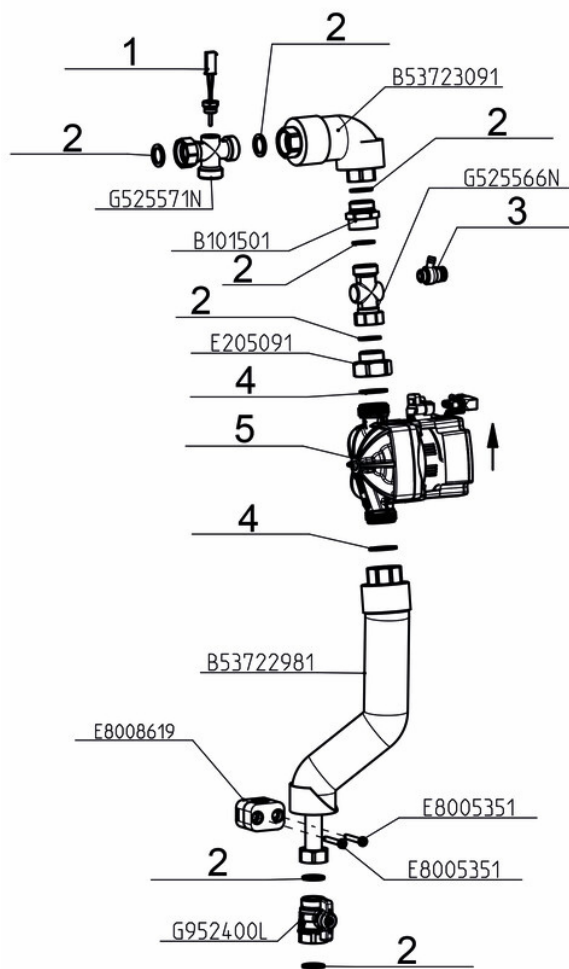


5 Scope of delivery

NOTICE

Serial number

Complaints and requests/orders of spare parts will only be processed with information on the serial number!

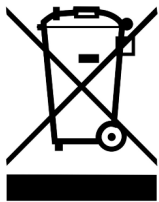



Position	Spare part	Item number
1	Temperature sensor Pt1000, screw-in sensor 15 mm, G¼", incl. connection line	N00005
2	Seal 24.0 x 17.0 x 2.0, ¼", for thread connection ¾", 10 pieces	N00030
3	Drain valve, ¼" ext. thread, self-sealing	N00519
4	Seal 30.0 x 21.0 x 2.0, ½", for thread connection 1", 10 pieces	N00024
5	Pump Grundfos UPM4 15-70 CIL3, incl. seals + connection lines	N00738

6 Technical data

Circulation set	
Dimensions	
Height	640 mm
Width	250 mm
Pipe connections	
Outlet	¾" int. thread, flat-sealing (union nut)
Inlet	¾" int. thread, flat-sealing (ball valve)
Operating data	
Min. admissible pressure	0,5 bar (0,05 MPa)
Max. admissible pressure	10 bar (1 MPa)
Max. operating temperature	70 °C
Fluid type	only drinking water
Electrical data	
Temperature sensor	Pt1000
Pump	230 V~, 50 / 60 Hz, EEI ≤ 0,20 - part 3
Materials (suitable for drinking water)	
Valves and fittings	brass
Pump	stainless steel
Seals	Novapress Universal, EPDM

7 Disposal

NOTICE	
	<p>Electrical and electronic devices must not be disposed of in the household waste. For your return, there are free collection points for electrical appliances and, if necessary, additional points of acceptance for the reuse of the devices in your area. The addresses can be obtained from your city or communal administration.</p> <p>If the old electrical or electronic device contains personal data, you are responsible for deleting it before returning the device.</p> <p>Batteries and rechargeable batteries must be removed prior to the disposal of the product. Depending on the product equipment (partly with optional accessories), single components can also contain batteries and rechargeable batteries. Please observe the disposal symbols on the components.</p>

NOTICE	
	<p>Disposal of transport and packaging materials</p> <p>The packaging materials are made of recyclable materials and can be disposed of with recyclable materials.</p>



8 Notes



Item no. 991280817101-mub-en

Translation of the original instructions

We reserve the right to make technical changes without notice!

Printed in Germany – Copyright by PAW GmbH & Co. KG

PAW GmbH & Co. KG

Böcklerstraße 11

31789 Hameln, Germany

www.paw.eu

Phone: +49-5151-9856-0

Fax: +49-5151-9856-98