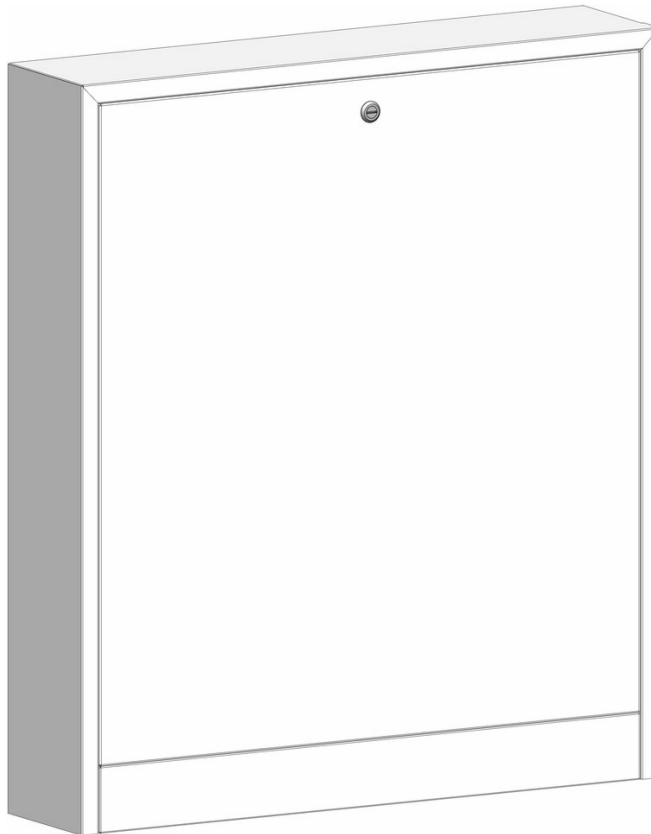




Installation and Operation Instructions Wall-mounted / flush-mounted cabinet for HomeBloC® Digital



GAF-K GAD-K GAD-L



GUD-K GUF-L GUD-L

Table of Contents

1	General Information.....	3
1.1	Scope of these instructions.....	3
1.2	Designated use.....	3
1.3	Transport and storage.....	4
2	Safety instructions.....	4
3	Product description.....	5
4	Installation.....	6
4.1	Preparations for installation.....	6
4.2	Installation flush-mounted cabinets.....	9
4.3	Installation wall-mounted cabinets.....	11
5	Technical data.....	13
5.1	Dimensional drawing flush-mounted cabinet GUD-K.....	14
5.2	Dimensional drawing flush-mounted cabinet GUF-L.....	14
5.3	Dimensional drawing flush-mounted cabinet GUD-L.....	15
5.4	Dimensional drawing wall-mounted cabinet GAF-K.....	15
5.5	Dimensional drawing wall-mounted cabinet GAD-K.....	16
5.6	Dimensional drawing wall-mounted cabinet GAD-L.....	16
6	Disposal.....	17
7	Notes.....	18

1 General Information



Carefully read these instructions before installation and commissioning.

Save these instructions in the vicinity of the installation for future reference.

1.1 Scope of these instructions

These instructions describe the installation of the PAW wall-mounted and flush-mounted cabinets for the flat station HomeBloC® Digital.

For other components, please follow the instructions of the respective manufacturer. The chapters marked with [specialist] are intended for specialists only.

1.2 Designated use

The product may only be used taking into consideration these instructions and the technical limit values indicated in these instructions.

The product is intended for use in a domestic environment. The product can also be used in non-domestic environments, e.g. in small businesses, provided it is used in the same way.

Only use original accessories with the product. Improper usage of the product excludes any liability claims.

1.3 Transport and storage

Transport and store the product in its original packaging, impact and shock-free, to protect it from dust and dirt.

Observe the following storage conditions:

- ambient temperature -40 to +85 °C
- dry
- dust-free
- inaccessible to unauthorised persons

2 Safety instructions

The installation and commissioning as well as the connection of electrical components require technical knowledge commensurate with a recognised vocational qualification as a fitter for plumbing, heating and air conditioning technology, or a profession requiring a comparable level of knowledge [specialist].

The following must be observed during installation and commissioning:

- relevant local and national regulations
- accident prevention regulations of the professional association
- instructions and safety instructions mentioned in these instructions

NOTICE

Material damage due to mineral oils!

Mineral oil products cause lasting damage to seals made of EPDM, whereby the sealant properties are lost. We do not assume liability nor provide warranty for damage to property resulting from sealants damaged in this way.

- ▶ It is imperative to prevent the EPDM sealing elements from making contact with substances containing mineral oils.
- ▶ Use a silicone- or polyalkylene-based lubricant free of mineral oil such as Unisilikon L250L and Syntheso Glep 1 from Klüber or a silicone spray.

NOTICE

- ▶ Do not cover the air slots on the door of the wall-mounted or flush-mounted cupboard. Allow sufficient air circulation.
- ▶ Use suitable tools.

3 Product description

The product is used to hold and / or cover a flat station from the HomeBloC® Digital series. The cabinet is available in different versions:

- GUD-K: flush-mounted, deep-short**, for stations with / without instantaneous water heater and a ball valve rail, flush-mounted installation.
- GUF-L: flush-mounted, flat-long**, for stations without instantaneous water heater and a floor distribution manifold, flush-mounted installation.
- GUD-L: flush-mounted, deep-long**, for stations with / without instantaneous water heater and a floor distribution manifold, flush-mounted installation.
- GAF-K: wall-mounted, flat-short**, for stations without instantaneous water heater and a ball valve rail, wall-mounted installation.
- GAD-K: wall-mounted, deep-short**, for stations with / without instantaneous water heater and a ball valve rail, wall-mounted installation.
- GAD-L: wall-mounted, deep-long**, for stations with / without instantaneous water heater and a floor distribution manifold, wall-mounted installation.

The PAW flat station HomeBloC® Digital as well as the ball valve rail and the floor distribution manifold are not included in the scope of delivery and must be ordered separately!

The following table provides an overview of the possible combinations of cabinet and flat station:

Type HomeBloC® Digital	GUD-K	GUF-L	GUD-L	GAF-K	GAD-K	GAD-L
WR	✓			✓		
WF	✓			✓		
WF + floor distribution manifold*		✓				✓
WRF-E	✓			✓		
WRF-E + floor distribution manifold*		✓				✓
WR+DLE	✓				✓	
WF+DLE	✓				✓	
WF+DLE + floor distribution manifold*			✓			✓
WRF+DLE	✓				✓	
WRF+DLE+floor distribution manifold*			✓			✓

* Floor distribution manifold is mounted directly under the station, otherwise the cabinet for the floor distribution manifold must be provided by the customer and the cabinet for the station corresponds to the station without floor distribution manifold (short version)

DLE = instantaneous water heater

4 Installation

WARNING

Risk of injury!

If the load-bearing capacity of the wall or the fasteners are not designed for the weight of the flat station, there is a risk of crushing and damage to property if the flat station falls down.

- ▶ Ensure that the load-bearing capacity of the wall is sufficient. If you are not sure about the load-bearing capacity of the wall, consult a structural engineer.
- ▶ Check whether the supplied fastening material is suitable for mounting on the desired wall. Use the fastening material required for mounting on the desired wall.

NOTICE

Damage to property!

The installation site must be dry, stable, frost-proof and protected against ultraviolet radiation in order to prevent material damage of the installation.

NOTICE

- ▶ Use existing mounting shafts and the wall-mounted cabinet for wall-mounted installation.
- ▶ Use the flush-mounted cabinet for the flush-mounted installation.

4.1 Preparations for installation

- Check that the packaging is undamaged! Damaged products in opened packaging can no longer be claimed!
- The cabinets must be removed from the packaging and dismantled (removal of the door, front frame and plinth panel). We recommend wearing clean gloves during the disassembly and the assembly the painted sheet metal parts!
- Return the disassembled parts to the packaging / box so that the parts are protected from damage.
- Store the packaging / box in such a way that it is protected from damage and is not disposed of prematurely.
- Check the size of the required installation space. If necessary, arrange for the installation space to be (re)designed in accordance with the requirements.

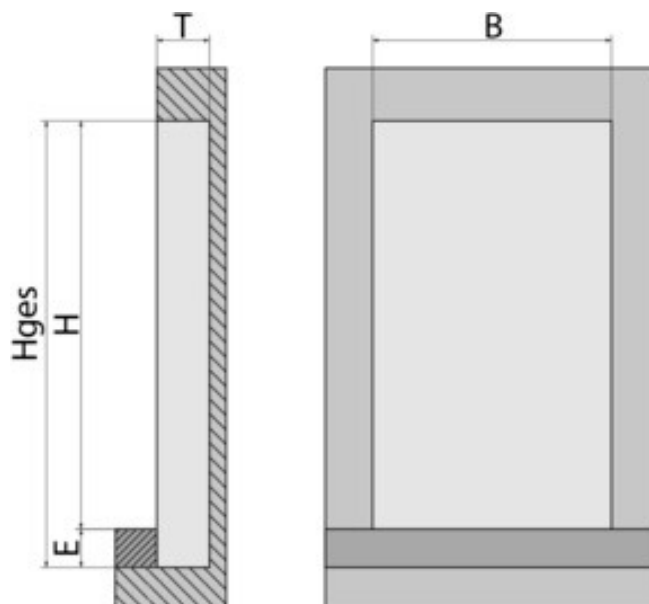
Lay the supply and electrical cables to the planned installation location of the cabinet.

4 Installation

Flush-mounted cabinet

Calculate the total height of the required wall cut-out, for example:

$$1450 \text{ mm (height (H))} + 120 \text{ mm (height (E) finished floor)} = 1570 \text{ mm (total height (Hges))}$$



Prepare the wall cut-out for the flat station according to the following table, taking into account the individual height E of the finished floor:

Type HomeBloC® Digital	Type cabinet	Width [B]	Total height [Hges]	Depth [T]	Height base
Tolerances		+10 / 0	+ / - 10	+10	
WR, WF, WRF-E, WR+DLE, WF+DLE, WRF+DLE	GUD-K	860 mm	920 mm + E*	190 mm	170 mm
WF+floor distribution manifold, WRF-E+floor distribution manifold	GUF-L	860 mm	1450 mm + E*	130 mm	170 mm
WF+DLE+floor distribution manifold, WRF+DLE+floor distribution manifold	GUD-L	860 mm	1450 mm + E*	190 mm	170 mm

* E = height finished floor

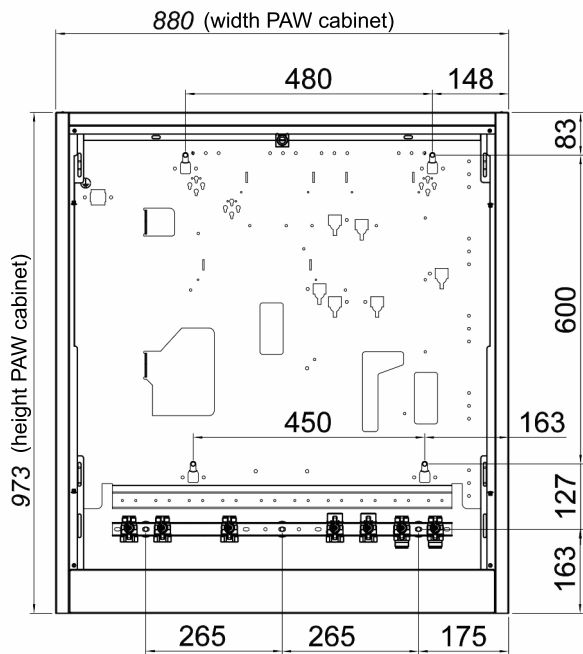
NOTICE

The dimensions in the table do not correspond to the dimensions of the flush-mounted cabinet.

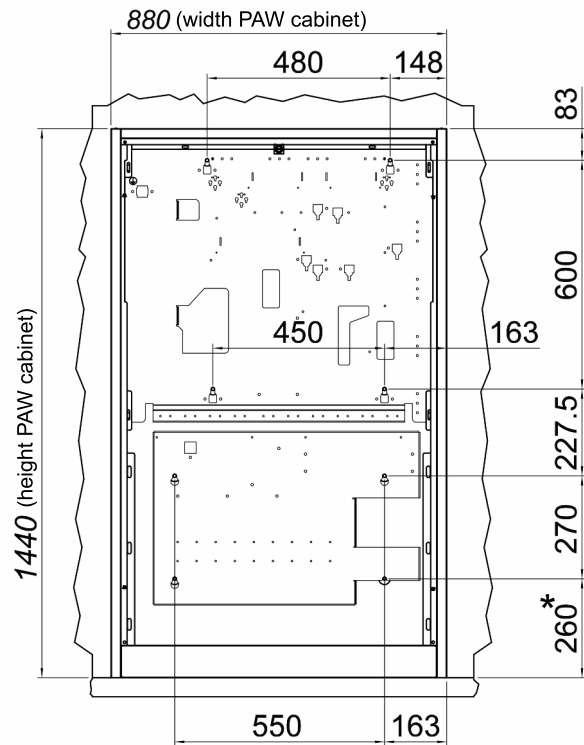
► Please refer to the chapter "Technical data" for the complete dimensions.

Wall-mounted cabinet

Mark the position of the drill holes according to the drilling pattern on the wall and drill the holes.



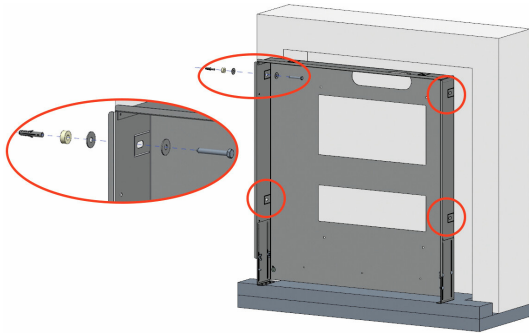
GAF-K / GAD-K



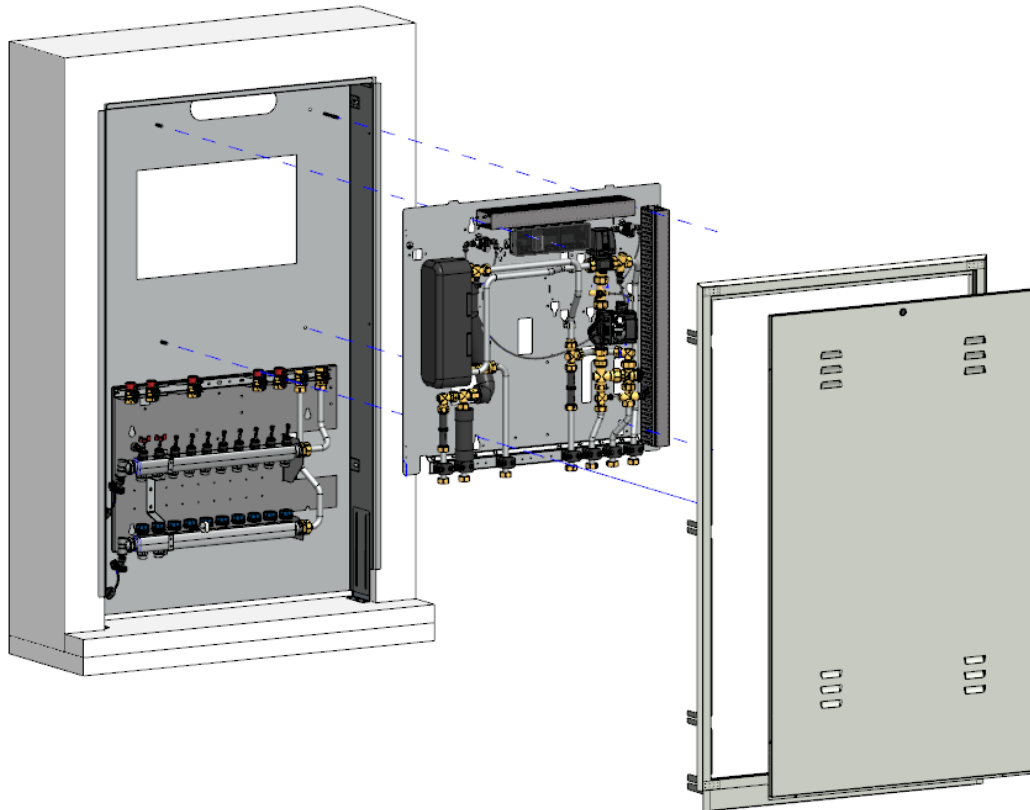
GAD-L

4 Installation

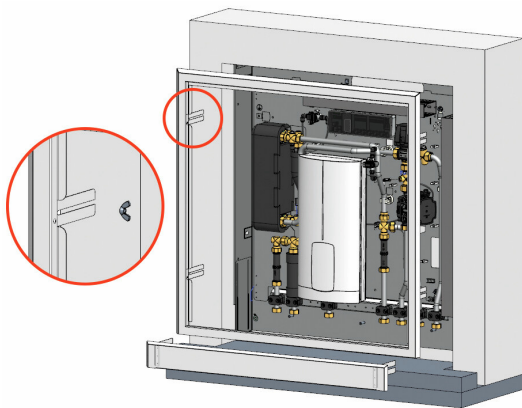
4.2 Installation flush-mounted cabinets



1. Slide the body of the flush-mounted cabinet into the prepared wall cut-out.
2. Secure the flush-mounted cabinet with suitable fastening material. Do not tighten the fastening screws yet.
3. Align the flush-mounted cabinet. Use the adjustable feet for this.
4. Tighten the fixing screws hand-tight.



5. Install the HomeBloC® Digital and the accessories according to the corresponding separate instructions. If the station is not to be put into operation until later, cover the station, e.g. with the station packaging.
6. Once the station has been commissioned in accordance with the separate instructions, the plinth panel and cover frame can be installed and the door inserted. To do this, slide the plinth panel and cover frame with the retaining arms over the threaded bolts on the side into the flush-mounted cabinet. Secure the retaining arms with the wing nuts. Do not tighten the wing nuts yet.
7. Align the plinth panel and cover frame.



8. Tighten the wing nuts hand-tight.
9. Tighten the flange nut for the cover frame firmly, as the cover frame is only fastened with the nut.

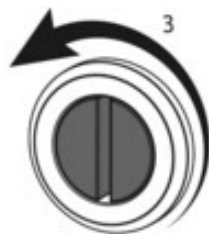
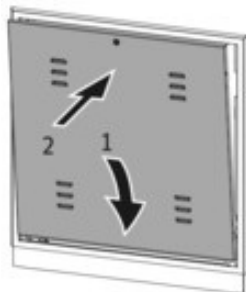
WARNING



Risk to life and limb due to electric shock!

Connect the cabinet to the station's earth connection:

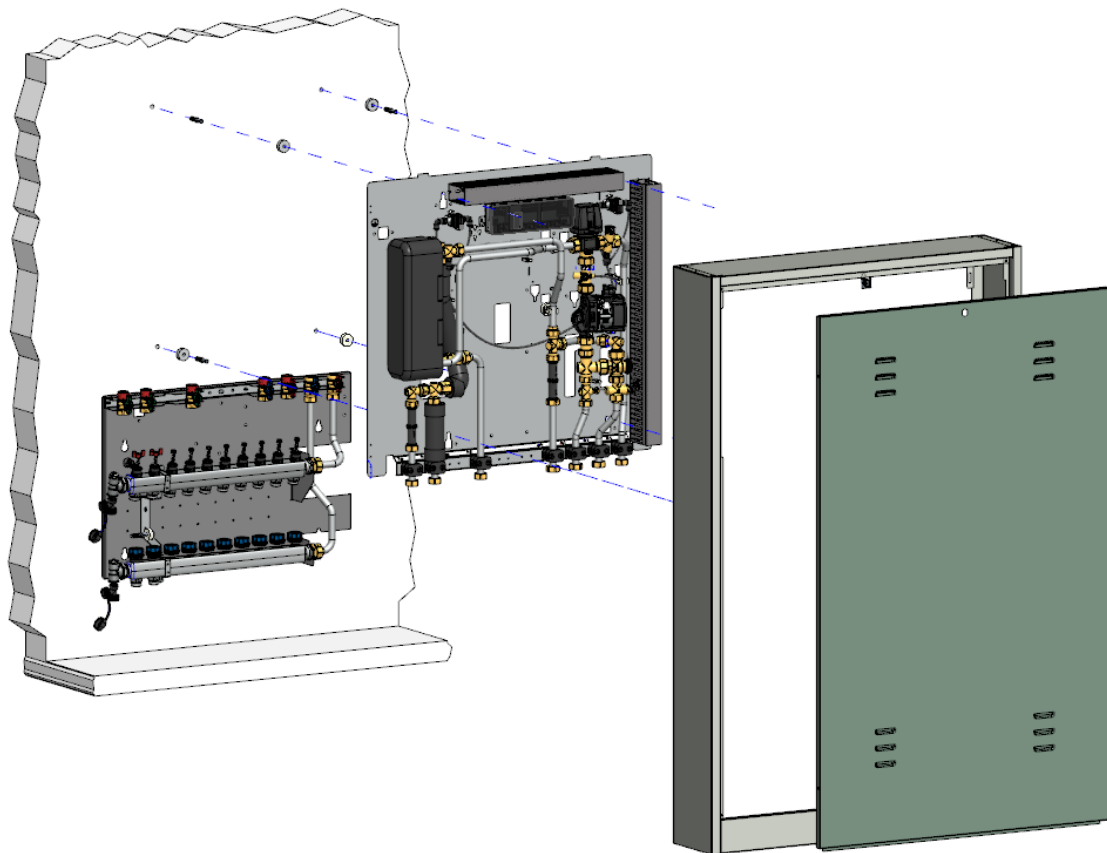
- ▶ Connect the body of the cabinet to the mounting plate of the station / floor distribution manifold.
- ▶ Connect the door to the body of the cabinet. Use the enclosed cables.
- ▶ Ensure that the retaining arms of the frame and cover frame are tightened with the nuts and are in contact with the body.



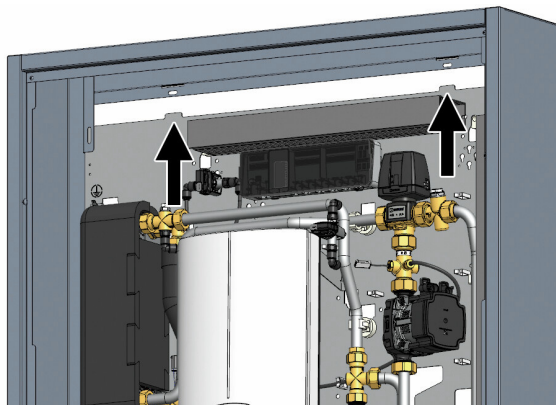
10. Lift the door of the flush-mounted cabinet, tilted forwards at an angle, into the base of the flush-mounted cabinet and swivel it backwards into the frame.
11. Lock the rotary lock.

4 Installation

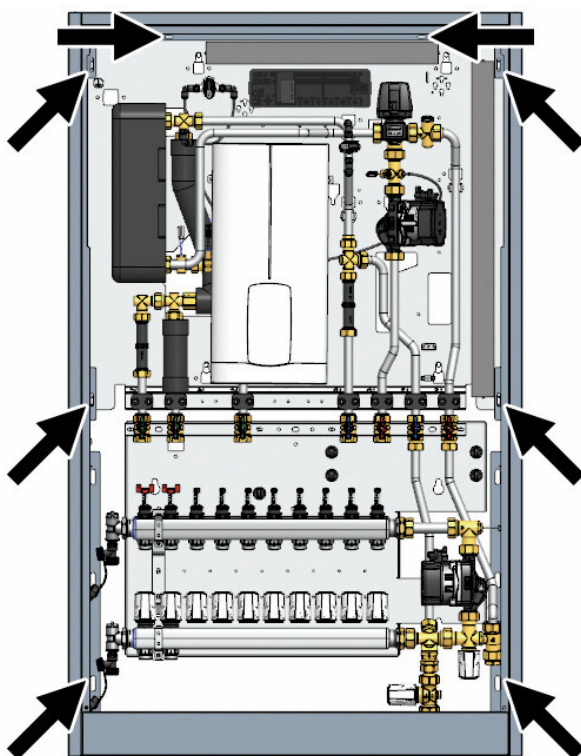
4.3 Installation wall-mounted cabinets



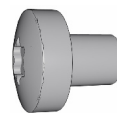
1. Insert the supplied wall plugs into the drill holes.
2. Screw in the stair bolts so that they protrude approx. 30 mm.
3. Install the HomeBloC® Digital and the accessories according to the corresponding separate instructions. If the station is not to be put into operation until later, cover the station, e.g. with the station packaging.
4. Once the station has been commissioned in accordance with the separate instructions, the wall-mounted cabinet can be installed. To do this, unlock the rotary lock and tilt the door forwards. Remove the door of the wall-mounted cabinet.



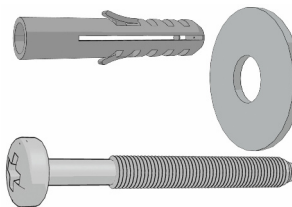
- Place the wall-mounted cabinet over the flat station. Slide the cam of the flat station into the corresponding recesses in the wall-mounted cabinet.



- Mount the wall-mounted cabinet using the self-tapping screws supplied.



For the long version, it is recommended to additionally secure the lower part of the cabinet using the wall plugs, washers and chipboard screws supplied.



WARNING

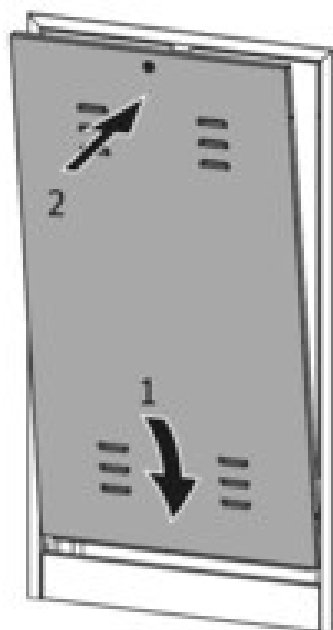


Risk to life and limb due to electric shock!

Connect the cabinet to the station's earth connection:

- ▶ Connect the door and the plinth panel of the cabinet to the PE connection on the mounting plate of the station / floor distribution manifold. Use the enclosed cables.
- ▶ Ensure that the frame is connected to the mounting plate of the station using the screws.

5 Technical data



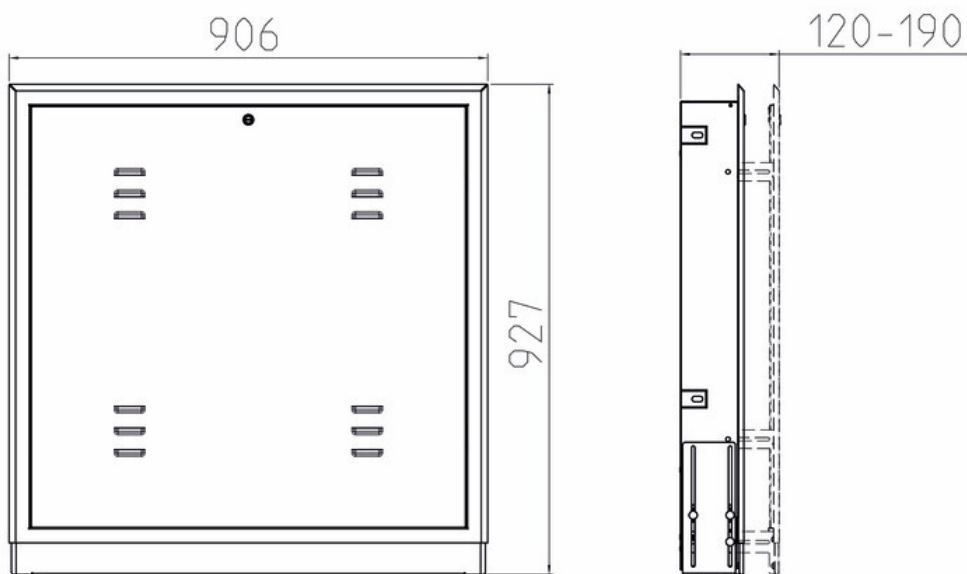
7. Lift the door of the wall-mounted cabinet, tilted forwards at an angle, into the base of the wall-mounted cabinet and swivel it backwards into the frame.
8. Lock the rotary lock.

5 Technical data

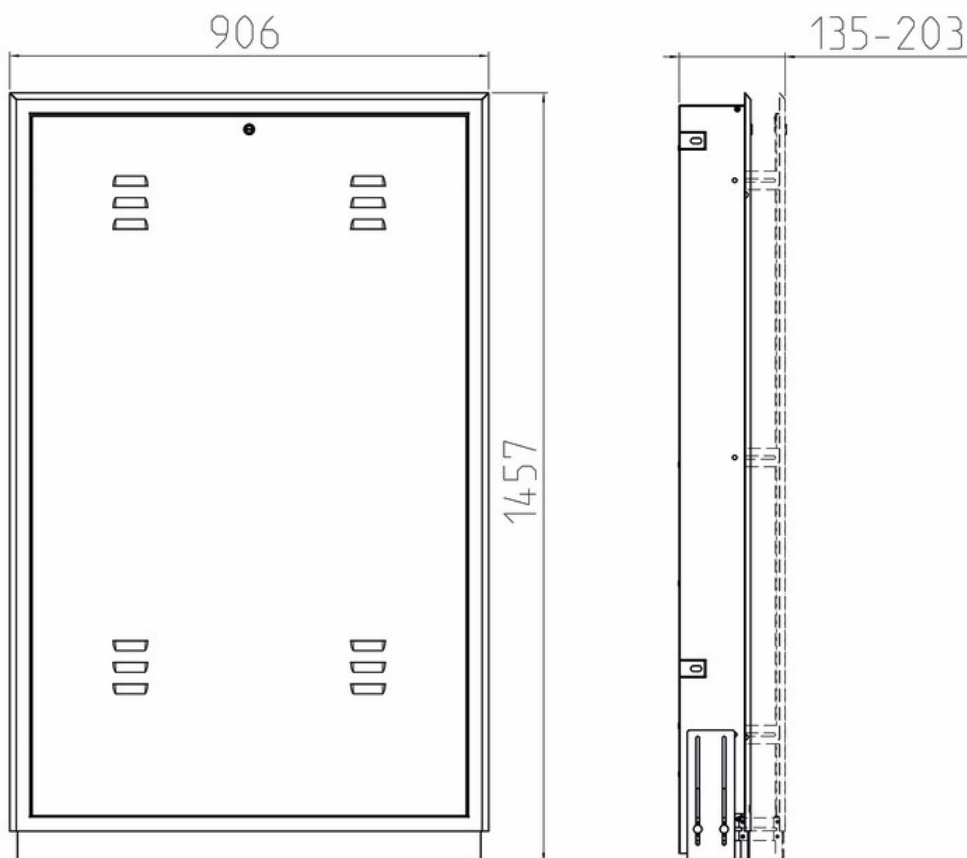
External dimensions, all dimensions in [mm].

	GUD-K	GUF-L	GUD-L	GAF-K	GAD-K	GAD-L
Item no.	1282002101	1282602101	1282602102	1282102101	1282102102	1282702101
Colour	white, similar to RAL9016					
Width [W]	906			880		
Height [H]	927	1457		973		1440
Depth [D]	120-190	135-203	200-269	130	190	
Weight	18 kg	30 kg		14.5 kg	16.5 kg	22 kg

5.1 Dimensional drawing flush-mounted cabinet GUD-K

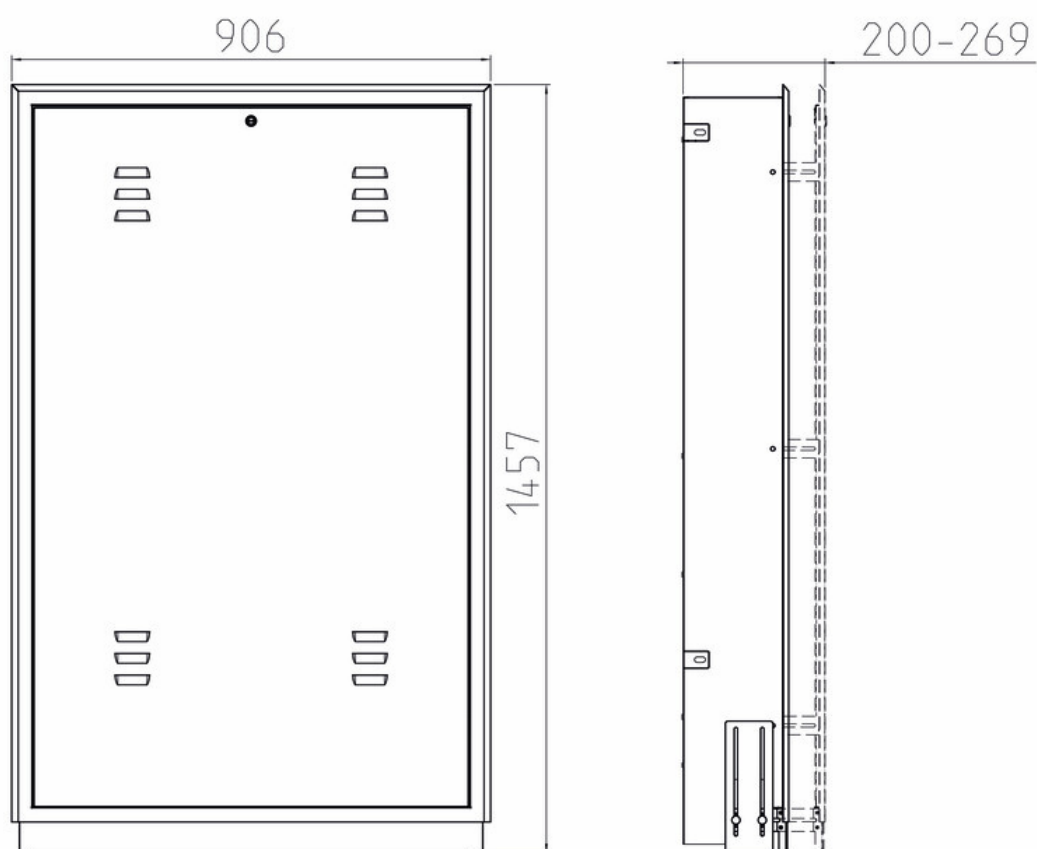


5.2 Dimensional drawing flush-mounted cabinet GUF-L

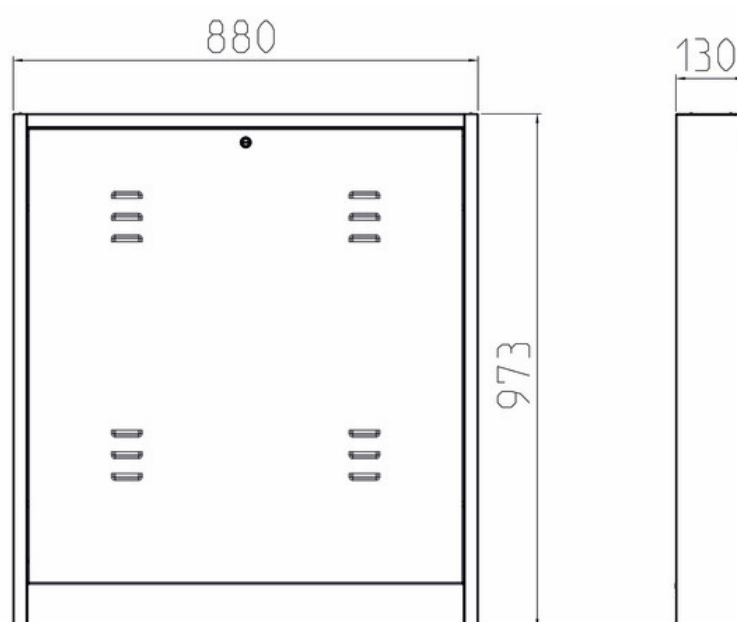


5 Technical data

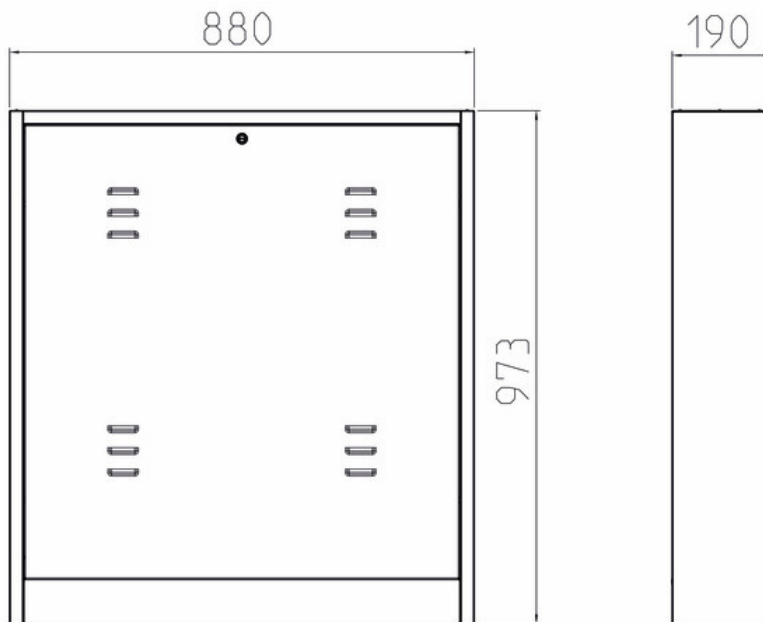
5.3 Dimensional drawing flush-mounted cabinet GUD-L



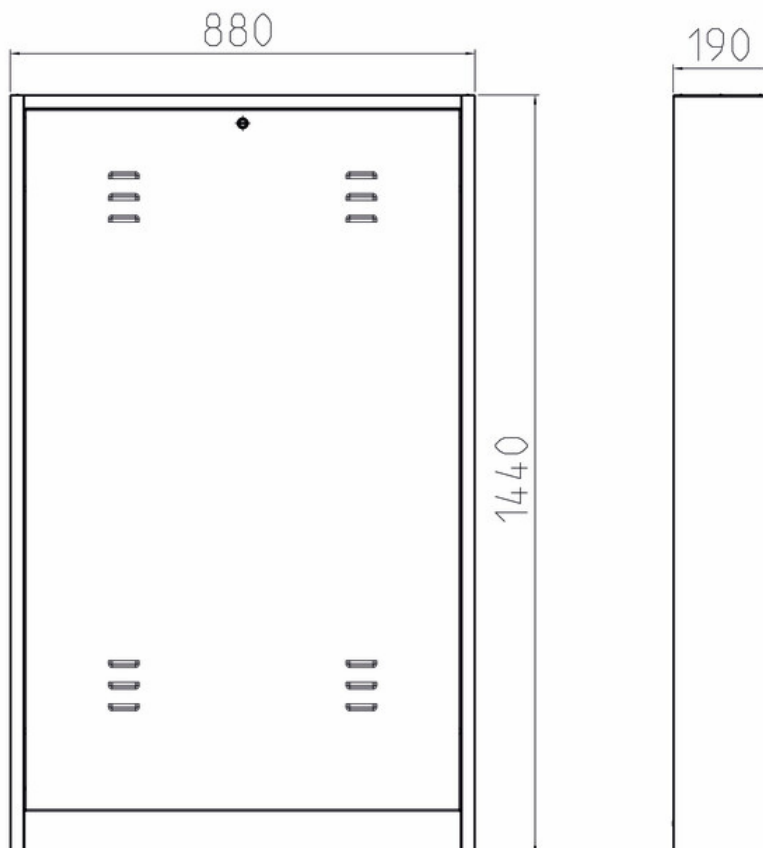
5.4 Dimensional drawing wall-mounted cabinet GAF-K



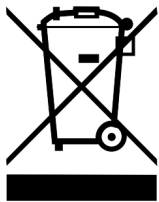
5.5 Dimensional drawing wall-mounted cabinet GAD-K




5.6 Dimensional drawing wall-mounted cabinet GAD-L



6 Disposal

NOTICE	
	<p>Electrical and electronic devices must not be disposed of in the household waste. For your return, there are free collection points for electrical appliances and, if necessary, additional points of acceptance for the reuse of the devices in your area. The addresses can be obtained from your city or communal administration.</p> <p>If the old electrical or electronic device contains personal data, you are responsible for deleting it before returning the device.</p> <p>Batteries and rechargeable batteries must be removed prior to the disposal of the product. Depending on the product equipment (partly with optional accessories), single components can also contain batteries and rechargeable batteries. Please observe the disposal symbols on the components.</p>

NOTICE	
	<p>Disposal of transport and packaging materials</p> <p>The packaging materials are made of recyclable materials and can be disposed of with recyclable materials.</p>



7 Notes



Item no. 991282x0210x-mub-en

Translation of the original instructions

We reserve the right to make technical changes without notice!

Printed in Germany – Copyright by PAW GmbH & Co. KG

PAW GmbH & Co. KG

Böcklerstraße 11

31789 Hameln, Germany

www.paw.eu

Phone: +49-5151-9856-0

Fax: +49-5151-9856-98